



LADY



CONTROL PANELS:
LADY ———— DA.24V



ROAD BARRIERS

integrated control box
for passages up to 4 m

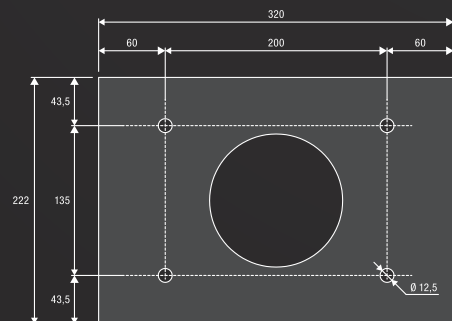
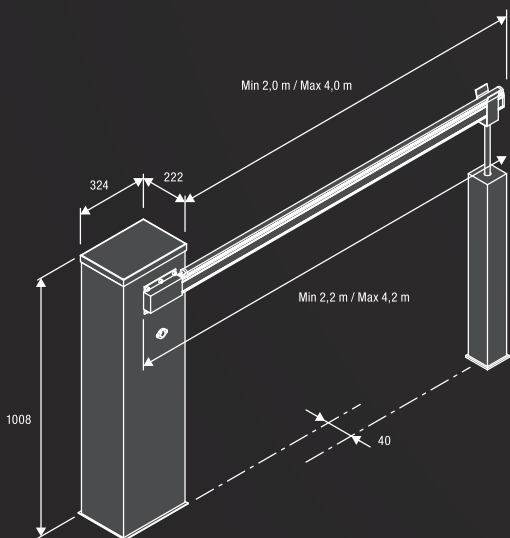
**FOUNDATION PLATE
AND RECEIVER
NOT INCLUDED**



RAL 2009

24 Vdc | intensive use

- Electromechanical 24 Vdc right barrier for intensive use. The barrier can be easily converted to left operation
- Manual release with external activation
- Optional built-in FTC.S photocells thanks to the innovative hide-away system that allows for their perfect integration
- 2 adjustable mechanical stops
- Optional battery powered operation
- Amperometric sensor obstacle detection system to prevent crushing
- Three adjustable limit switches for the braking phases and the closure position
- Stainless steel version LADY.I available
- Simple, quick and reliable rod balancing system
- Foundation plate accessory with VE.PS coach screws



VE.PS



LADY.A
9081001

4.2 m aluminium arm with caps included (4200x60x38mm). Available in two pieces needs the joint (LADY.GT).



LADY.P
9081002

4.2 m white painted aluminium arm. Caps are included. Provided with red rubber profiles.



LADY.GT
9424001

Aluminium joint for LADY.A.



VE.PS
9623068

Foundation plate with coach screws for LADY.



VE.TERM
9864010

Thermostat for very cold places.



VE.AM
9078020

Mobile support for bars.



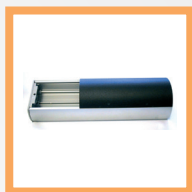
VE.RAST
9672010

Aluminium rack L= 2 m. H= 60 cm



VE.AF
9078010

VE.AFI
9078015
Painted/ Stainless steel fixed support for bars.



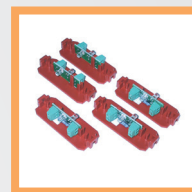
LADY.COL
9230001

Support for the installation of a second pair of photocell.



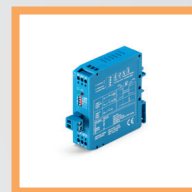
LADY.SN
9780001

Articulated joint set for LADY.A / LADY.P (rubber profiles must be removed). It compromises the use of any other accessory.



LADY.L
9534001

Flashing light set for LADY.P.



VE.KM1HN
9614267

VE.KM2HN
9614268
Single/two-channel loop detector.



VE.CS
9760050

Traffic-light control unit for LED.TL.



LED.TL
9766003

2 light 230 Vac LED traffic light.



VE.CAT500
9549020

Set of 20 adhesive refractor strips for LADY.A / LADY.P.



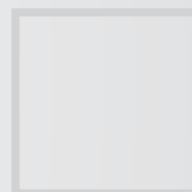
ESA BASIC
9176108

System that reduces the electrical energy consumption. In the LADY model, the use of ESA BASIC is not compatible with the battery operation.



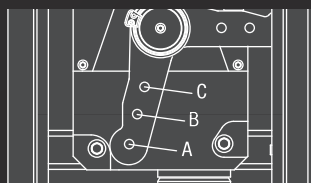
KSUN
9611004

KIT for system operation via solar panel. For 24 Vdc models.



MADE IN ITALY

AUTOMATISMI BENINCA SpA • via del Capitello, 45 • 36066 Sandrigo (VI) ITALY • T +39 0444 751030 • F +39 0444 759728 • sales@beninca.it



ACCESSORIES FOR USE	BAR LENGTH (m)				
	2.2	2.7	3.2	3.7	4.2
No accessories	C	C	C	B	A
LADY.P (only upper)	C	C	B	B	A
LADY.P (upper and lower)	C	C	B	B	A
VE.RAST	C	B	B	A	---
LADY.P (only upper) + VE.RAST	C	B	B	A	---
LADY.P (only upper) + VE.AM	C	B	B	A	A
LADY.P (upper and lower) + VE.AM	C	B	B	A	---
LADY.P (only upper) + VE.RAST + VE.AM	C	B	A	---	---
SC.RES	C	B	B	A	---
LADY.P (only upper) + SC.RES	C	B	A	A	---
SC.RES + VE.AM	C	B	A	A	---
LADY.P (only upper) + SC.RES + VE.AM	C	B	A	---	---

The installation of the VE.RAST interferes with the use of the SC.RES and vice versa.
The installation of the LADY.L lights kit does not influence the balancing of the bar.

TECHNICAL DATA

	LADY
Code	9083098
Power supply	230 Vac (50-60Hz)
Motor supply	24 Vdc
Max absorbed current	1.6 A
Torque	205 Nm
Opening time	3" - 5"
Operation cycle	intensive use
Protection level	IP44
Operating temperature	-20°C /+50°C
Weight	52 kg

Items no. per pallet

9