



PT. LAUTAN CIPTA KREASI
Authorized Distributor for Gate, Garage & Doors automation

www.lautanciptakreasi.co.id



Authorized distributor for gate, garage & door automation

CATALOGUE // 2020

BENINCA
TECHNOLOGY TO OPEN

myone



Korea SQUARE Automatic Door
Square-AD

LOWe

RISE

CERTIFICATIONS



**BULL 20 M**
RESIDENTIAL USE
Up to 2000 kg230_{VAC}400_{VAC}**YAK 25 OTI**
INDUSTRIAL USE
Up to 2500 kg230_{VAC}**BULL 17 OMI**
RESIDENTIAL USE
Up to 1700 kg230_{VAC}

BULL 17 OMI // RESIDENTIAL USE

1700 kg capacity

230 Vac

- Single phase 23C VAC geared motor for intensive use with lubricated reductions
- The main control unit, located in the top part of the motor and with integrated inverter, makes it possible to calculate the position of the motor starting from the measurement of current intensity on the electric motor (virtual encoder)
- Oil lubrication guarantees maximum duration of the reducer. The type of oil is very effective and guarantees excellent performance even at low temperatures
- Reduced mechanical wear of components
- The virtual encoder allows proper management of the slowing-down phases, movement tracking (STC system), and torque management in relation to the position of the gate, which guarantees maximum safety
- Adjustable speed from 10 to 24 m/min according to gate weight
- Safety sensor that stops the motor power supply during release operations
- Receiver ONE2.WI is supplied
- Metal release lever

BULL 17 OMI TECHNICAL DATA

Power supply	230 Vac (50 - 60HZ)
Motor supply	230 Vac
Max absorbed current	7 A
Max Thrust	1880 N
Max opening speed	24 m/min
Duty cycle	80%**
Protection level	IP44
Magnetic limit switches	NO
Operating temperature	-20° / + 50° C
Lubrication	OIL
Max gate weight	1700 kg
Driving gear for rack	M4 Z18
Weight	21.6 kg
Items no. per pallet	20

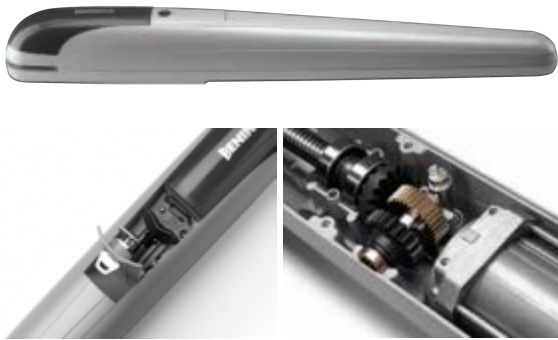
BOB 50 ME

LINEAR WORM SCREWS
Up to 5.0 m

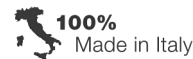
Patented FACE gears
Full metal mechanics
Gear and female screw in bronze
Personalised release key

BOB 3024 E

LINEAR WORM SCREWS
Up to 3.0 m



BOB 50 ME // LINEAR WORM SCREWS



Up to 5.0 m

Reliable, quiet, and quick to install geared motor, thanks to its 2 adjustable mechanical stops for opening and closing. Available in the 230 Vac and 24 Vdc versions.
Rolled ball screws Ø 20 mm. Easy access release from above.

230 Vac

- Irreversible 230 Vac electromechanical geared motor
- Available in two versions: one with an easily adjustable limit switch (BOB50M) the other with encoder (BOB50ME)
- The encoder device in the BOB50ME version ensures crush prevention and precision in the gate moving phases

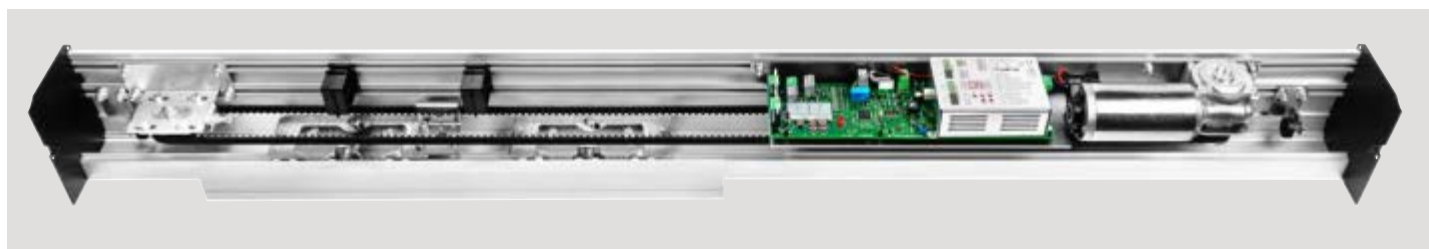
24 Vdc | intensive use

- Irreversible 24 Vdc electromechanical geared motor for intensive use, equipped with encoder
- The encoder device ensures maximum safety and precision in the gate moving phases
- Amperometric sensor obstacle detection system to prevent crushing
- Optional battery powered operation

BOB 50 ME TECHNICAL DATA

Power supply	230 Vac (50 - 60HZ)
Motor supply	230 Vac
Max absorbed current	1.4 A
Max Thrust	3500 N
Opening Time	26"
Duty cycle	30%
Standard stroke	455 mm
Max stroke	520 mm
Protection level	IP44
Encoder	YES
Operating temperature	-20° / + 50° C
Leaf max dimension	5 m
Weight	11.6 kg
Items no. per pallet	30

LUCE HEAVY 100%
Made in Italy



The Luce Heavy sliding doors are ideal for automated pedestrian access points in private and public locations: offices, shops and commercial businesses in general. They are quick and easy to install, with continuous operation, guaranteeing top performance and reliability. Available in single-leaf (up to 200 kg) or double-leaf (up to 130+130 kg) versions. With three-wheeled carriage, which ensures that the doors are very stable and easy to adjust, both in height and depth. The operator has a control unit with LED alphanumeric display, full-range switching power supply (100-240 V 50/60 Hz) and battery charger. The presence of a USB connector makes it quick and easy to update the firmware as well as to copy parameters and operating logics to a new system instantly. Continuous operation guaranteed.

LUCE HEAVY TECHNICAL DATA

Power supply	full range 100-240 Vac 50/60 Hz
Power consumption	70 W
Power consumption in stand-by	3 W
Accessories power supply	24 Vdc = / 1 A max
Maximum speed 1 door	0,8 m/s
Maximum speed 2 doors	1,6 m/s
Maximum load 1 door	200 kg
Maximum load 2 doors	130 + 130 kg
Type and frequency of use	continuous operation = 100%
Operating temperature	-15°C / +50°C
Protection degree	IP20
Data backup memory	USB flash drive



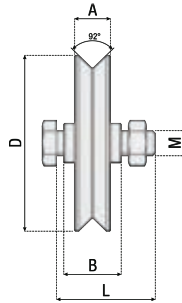
ARIA



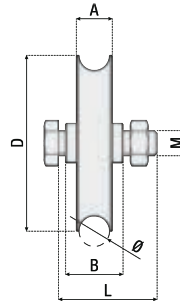
Aria has a new, elegant design with high aesthetic cleanness. It is an operator for single- or double-leaf swing doors and is ideal for continuous operation. It is available in a version with automatic opening and closing or with spring closing system (Aria S) and is recommended for public locations, such as hospitals or healthcare facilities, locations open to the general public such as hotels, offices, shops and banks, as well as in residential settings. It is activated using buttons, sensors and key-operated or rotating selectors.

ARIA TECHNICAL DATA

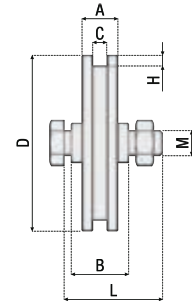
Power supply	Full range 100÷240 Vac 50/60 Hz
Power consumption	70 W
Power consumption in stand-by	3 W
Accessories power supply	24 Vdc = / 1 A max
Opening time	1.5÷8 s / 90°
Closing time	1.5÷8 s / 90°
Maximum torque	45 Nm
Operation type	Motor-driven opening motor-driven closing
Type and frequency of use	Continuous operation = 100%
Operating temperature	-15°C / +50°C
Protection degree	IP31
Data backup memory	USB flash drive

GALVANIZED WHEELS


With V Groove



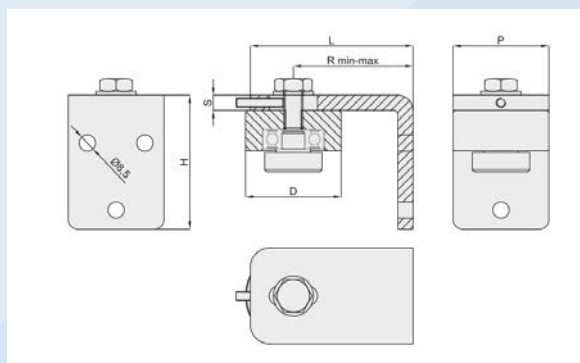
With half-round Groove



With square Groove



CODE	D (mm)	A (mm)	B (mm)	GROOVE	CAPACITY	BOLT	CONTAINS (pcs)
104.140	138	30	34	20	500 KG	M14 x 70	4
104.160	138	30	34	20	500 KG	M14 x 70	2

UPPER HINGE 451.42


CODE	D (mm)	Rmin-max (mm)	L (mm)	P (mm)	H (mm)	S (mm)	XB max	CONTAINS (pcs)
451.42	70	103-113	130	80	80	12	500	6

HINGES + BEARING



100%
Made in Italy



LOWER HINGE 455.4

CODE	D (mm)	H (mm)	YMax	LOAD STATIC	CONTAINS (pcs)
455.4	70	35	800 KG	1800 KG	6

GATE STOPPER

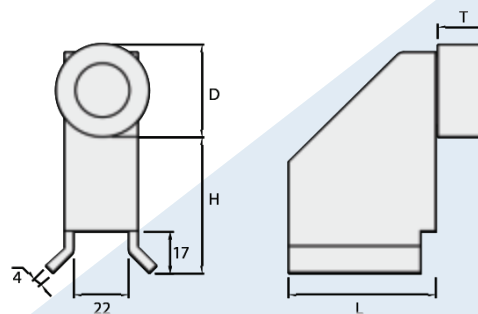


100%
Made in Italy



LIMIT STOPS FOR SLIDING GATES

246.2 / 246.1



CONTAINS (pcs)

CODE	D (mm)	H (mm)	L (mm)	T (mm)	CONTAINS (pcs)
451.42	70	103-113	130	80	80

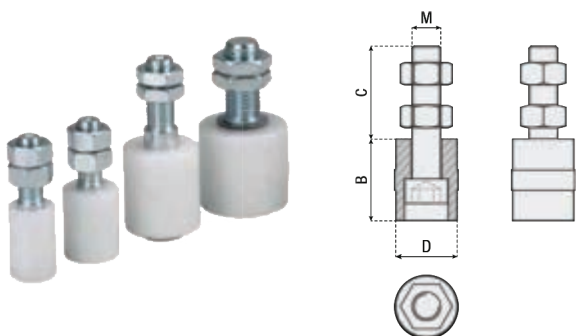
ROLLER



100%
Made in Italy



WHITE NYLON GUIDE ROLLERS



CODE	D (mm)	B (mm)	C (mm)	M (mm)	CONTAINS (pcs)
104.140	138	30	34	20	4
104.160	138	30	34	20	2



FORCE 825K

9343156



24 Vdc electromechanical bollard with powder coating or AISI 316 electropolished stainless steel finish.
 FORCE 825K/I has been subjected to crash test according to the specifications of IWA14-1: 2013 standard. The test was performed by MIRA Limited Warwickshire, CV10 0TU United Kingdom.
 FORCE 825K/I successfully passed the test conducted with a vehicle with a mass of 2500kg launched at a speed of 65Km/h, with an impact energy of 411 KJ.
 FORCE 825K/I was assessed as having Product Classification C-Foundation / Active / Rising /Bollard and achieved a Performance Rating of IWA14-1:2013 Rising Bollard V/2500[N1G]/64/90:5.0.



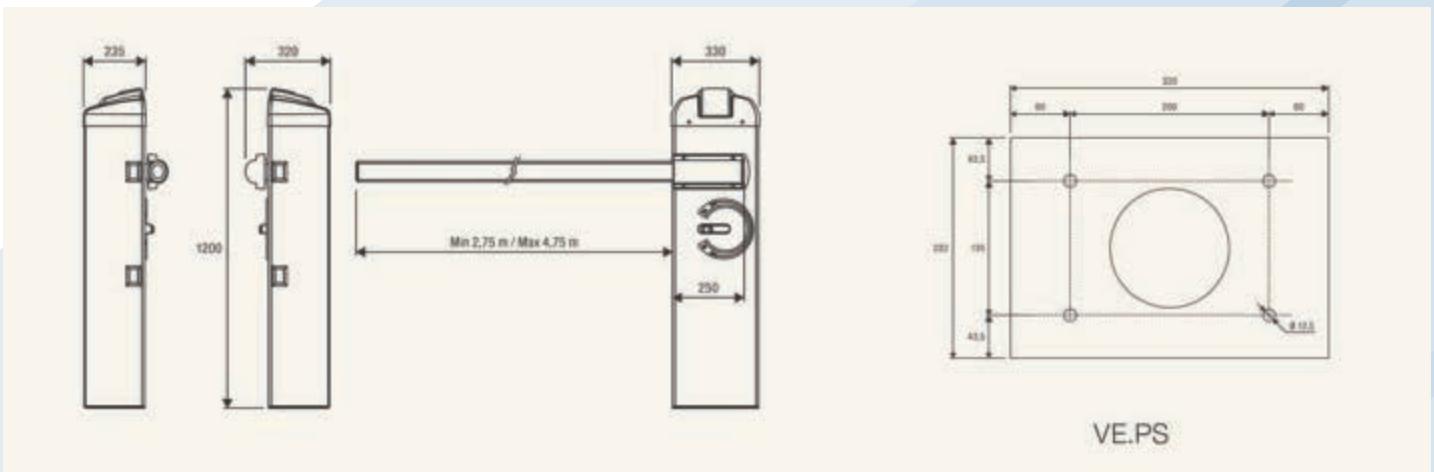
EVA 5

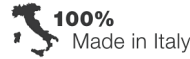
For passages up to 5 m

TECHNICAL DATA



Power supply	100 ÷ 250 Vac (50-60Hz)
Motor supply	24 Vdc
Max absorbed current	1.6 A
Power consumption in stand-by	40 mA
Torque	205 Nm
Opening time	3.5" ÷ 6"
Duty cycle	intensive use
Protection level	IP44
Operating temperature	-20°C /+50°C
Weight	54.8 kg
Items no. per pallet	9





JIM 3

SECTIONAL GARAGE DOORS RESIDENTIAL/COMMERCIAL USE



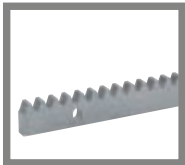
24VDC

24 Vdc | intensive use

- 24 VDC irreversible geared motor for intensive use
- Adjustable stroke with one mechanical stop included in the belt rails and two in the chain rails
- Anti-crushing system with amperometric obstacle detection
- Operation guaranteed even in the event of a power supply failure through batteries that integrate perfectly into the motor
- Evolved electronics with display and energy saving courtesy light in the versions JM.3/4ESA
- The encoder guarantees maximum safety and precision while the gate is moving
- Quick hooking system for connecting the arm to the door plate



ACCESSORIES



RI.M4F

M4 rack, to weld or attach with screws, 30x12x1000 mm slotted and galvanised. Supplied with M6 metric screws and threaded spacers.



IRI.TX4VA // IRI.TX4AK

- The new ARC coding guarantees maximum security due to the length of the transmitted code (128 bit) and the high number of possible combinations



PUPILLA.R

Pair of fixed photocells with a relay with N.C. type operation. Two pairs can be installed close to each other without synchronization.



PNO

Surface mounting push buttons with 2 normally open contacts. To be fitted on COL10N pillar.



IRI Lamp

White full range flashing light, 20-255 VAC with built-in aerial.

